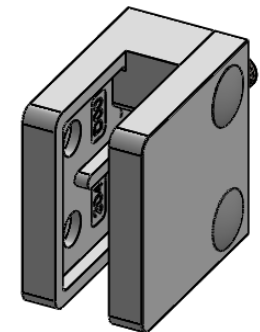
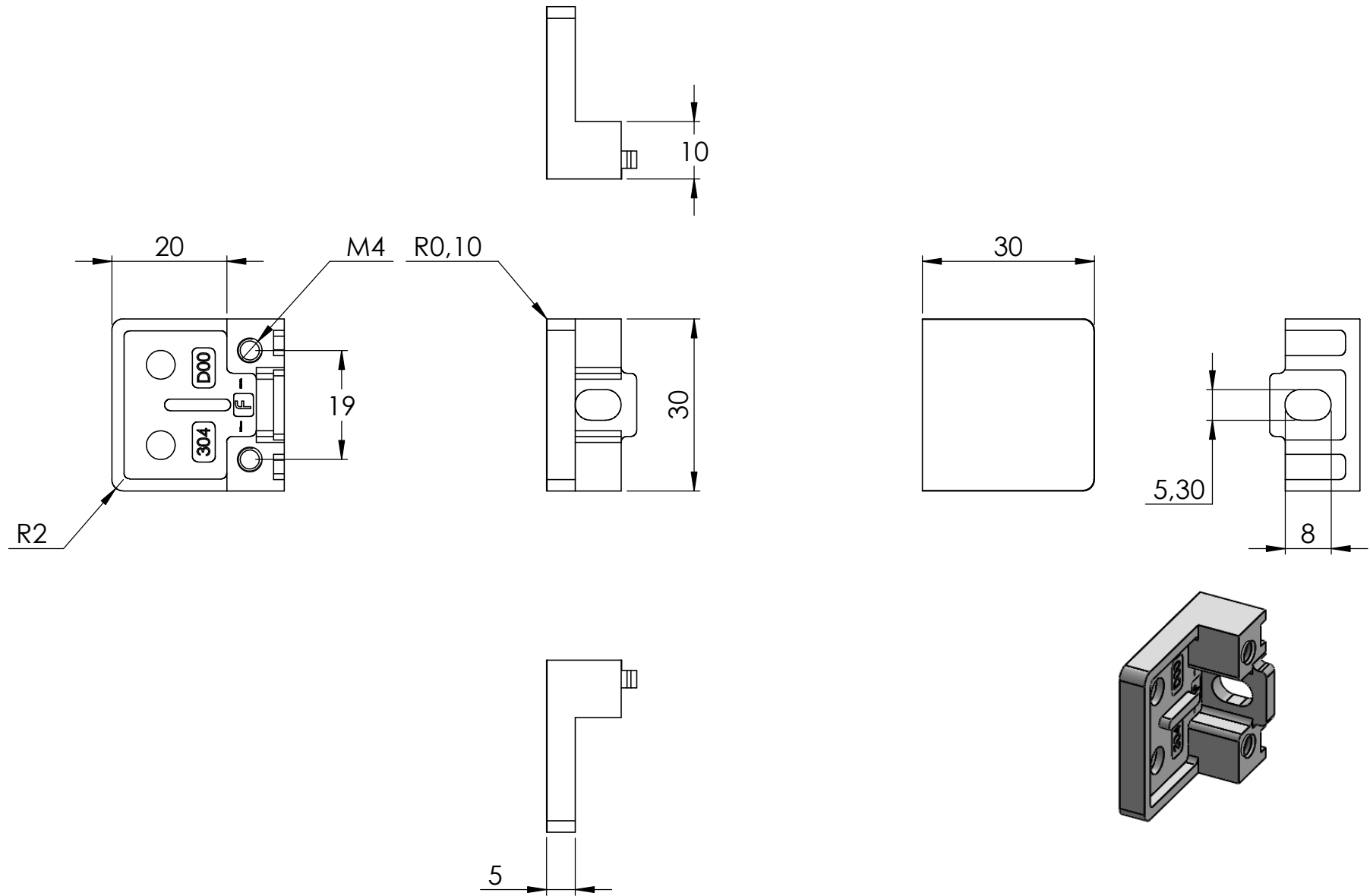
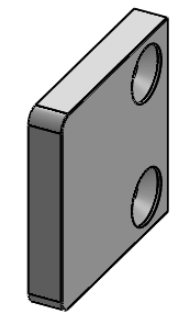
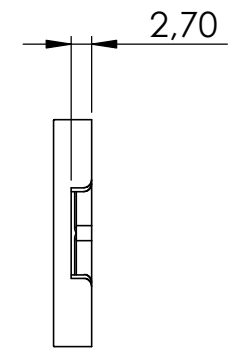
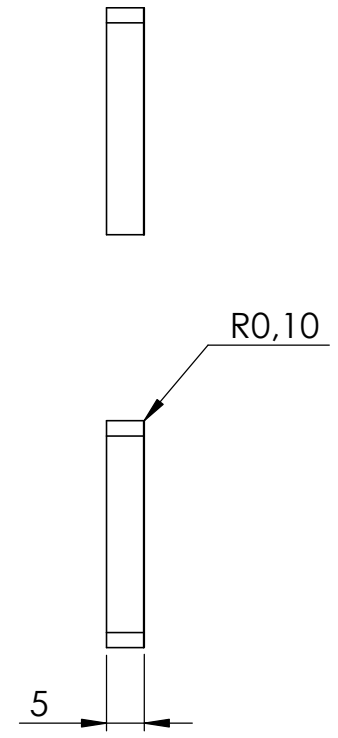
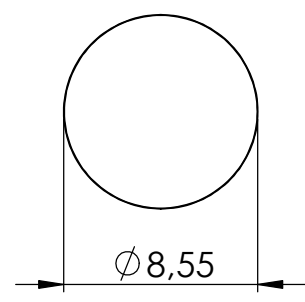


\*empfohlener  
Glaseinstand









4	GK-P-G-M4	2
5	DIN 912 M5 x 20 --- 20S	1

