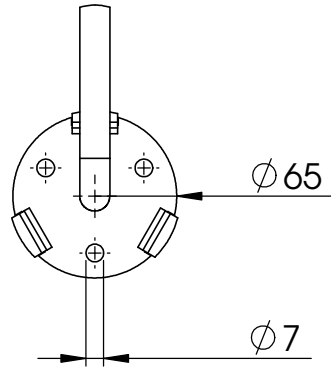
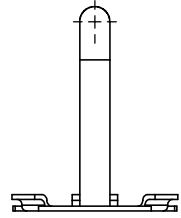
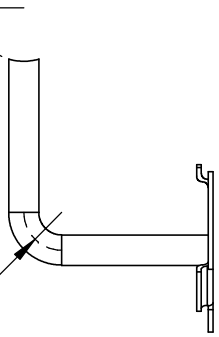
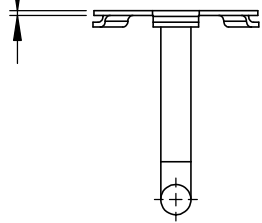


R21,20

R15

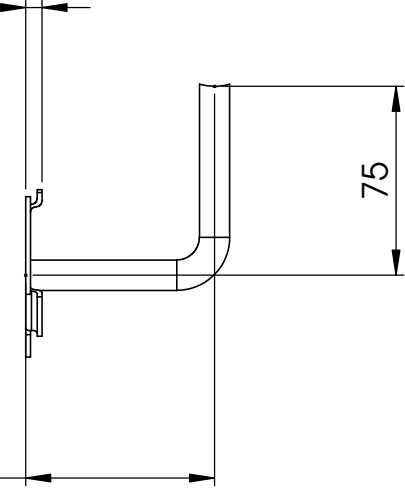


1,90



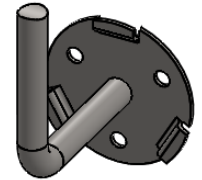
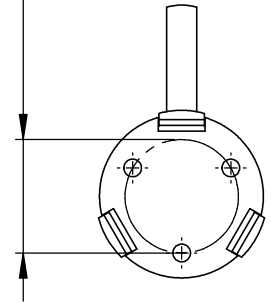
6,50

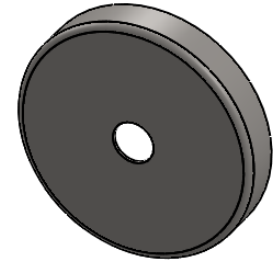
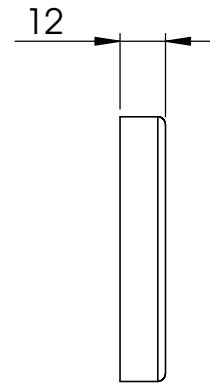
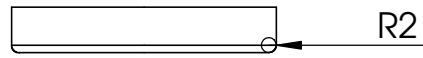
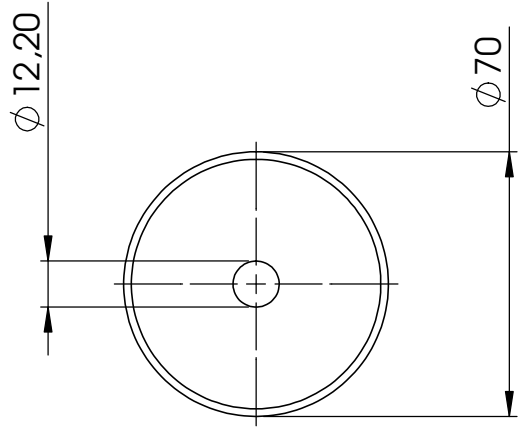
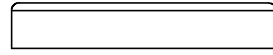
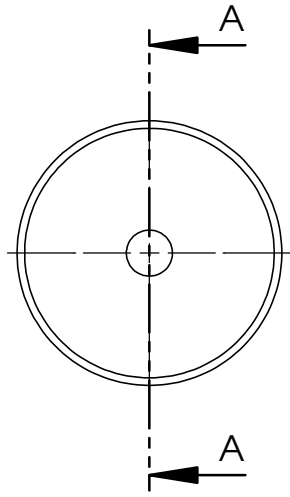
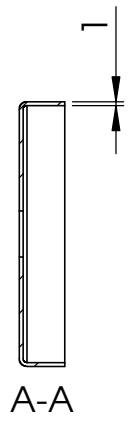
75

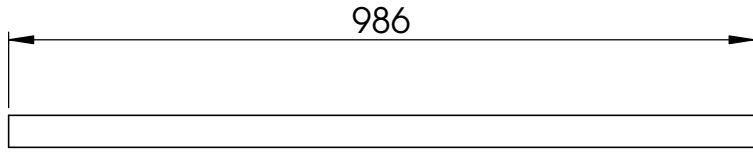



75

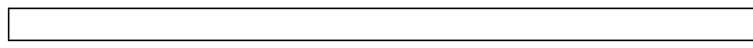
$\phi 45$






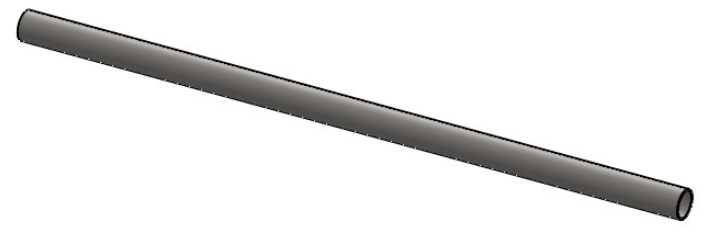
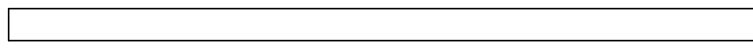


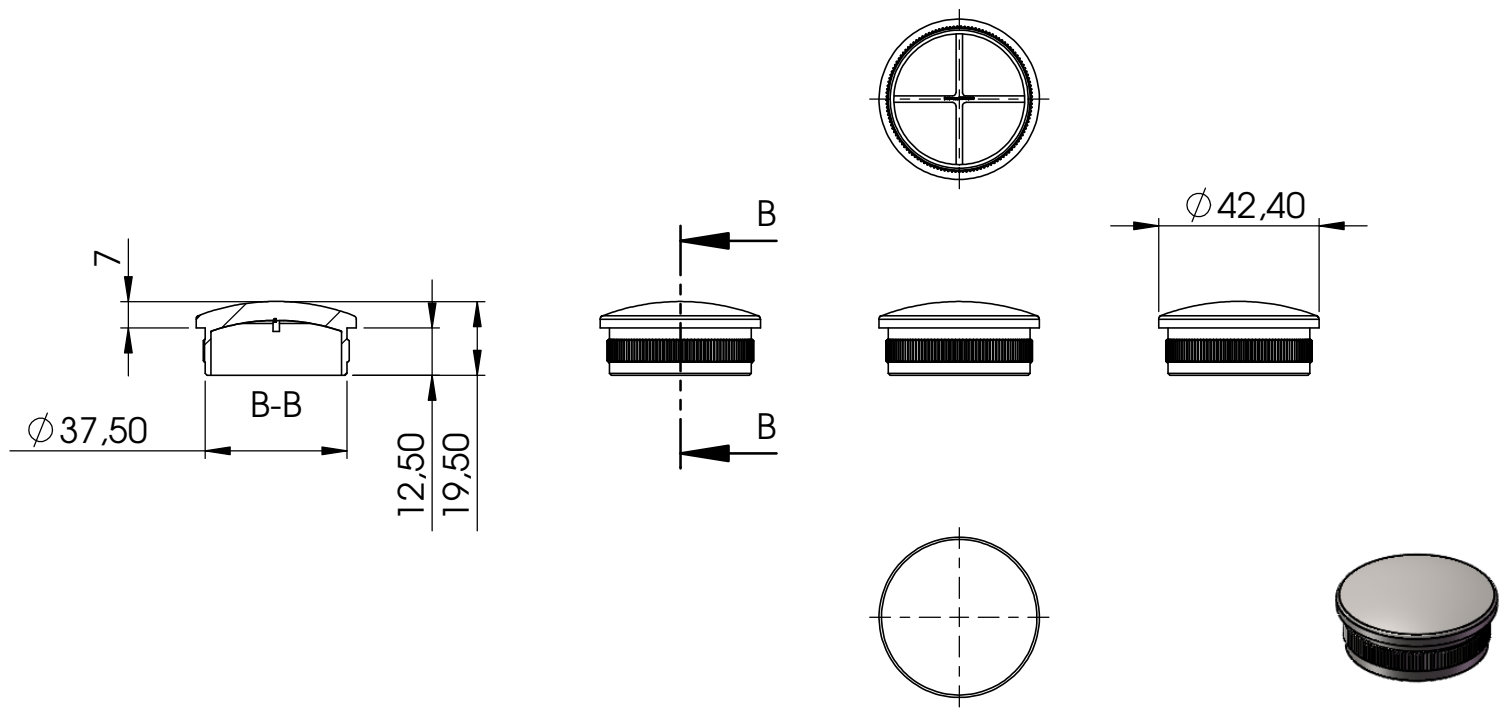
$\phi 38,40$ 



$\phi 42,40$

 2





4

50310-240G

2

3

2

