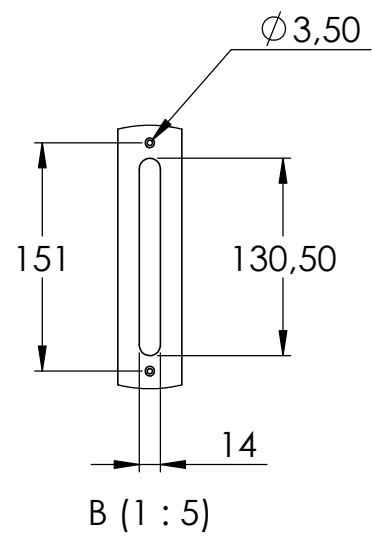


$\phi 42,40$

Dimension for the diameter of the vertical bar.



Auschnitt für 1 LED Modul

Section for 1 LED module.

